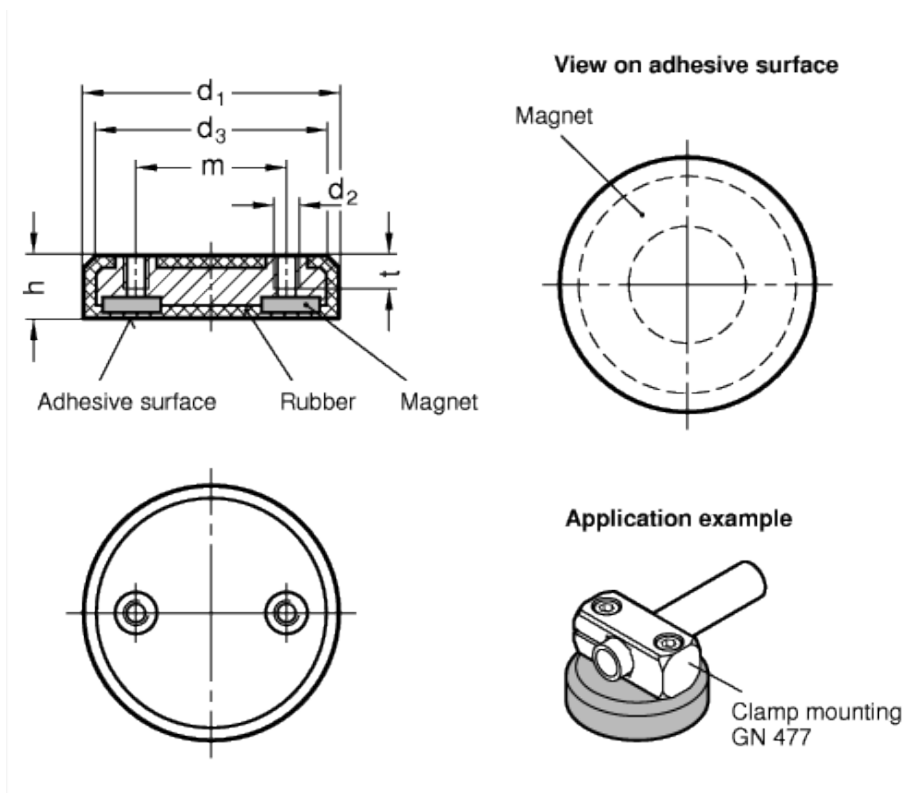


# GN 51.6

Retaining magnets



## technical informations

### Specification

Disc-shaped, with two female threads, with rubber jacket  
Steel part, zinc-plated  
Rubber jacket, Elastomer (TPE), 80 Shore A  $\approx$ , black

### Material of the magnet

Neodymium, iron, boron NdFeB ND, temperature resistant up to 80°C

### Features and applications

Retaining magnets GN 51.6 are a shielded magnetic system with rubber jacket. The rubber jacket protects sensitive surfaces from being damaged by the magnet and also delivers a higher friction coefficient, resulting in high lateral adhesion forces. Its dimensions, especially the drill hole spacing m and the thread d2, match the clamp mountings GN 473, GN 477 and GN 480.

Standard Elements	Main dimensions						Nominal adhesive forces in N	Weight
Description	d <sub>1</sub>	m	d <sub>2</sub>	d <sub>3</sub>	h	t <sub>min.</sub>		g
GN 51.6-ND-43-22-M4	43	22	M4	39	10.3	6	85	37
GN 51.6-ND-43-27-M5	43	27	M5	39	10.3	7	85	36
GN 51.6-ND-57-32-M6	57	32	M6	53	11.3	7	175	87
GN 51.6-ND-57-36-M6	57	36	M6	53	11.3	7	175	87



STANDARD MACHINE ELEMENTS WORLDWIDE